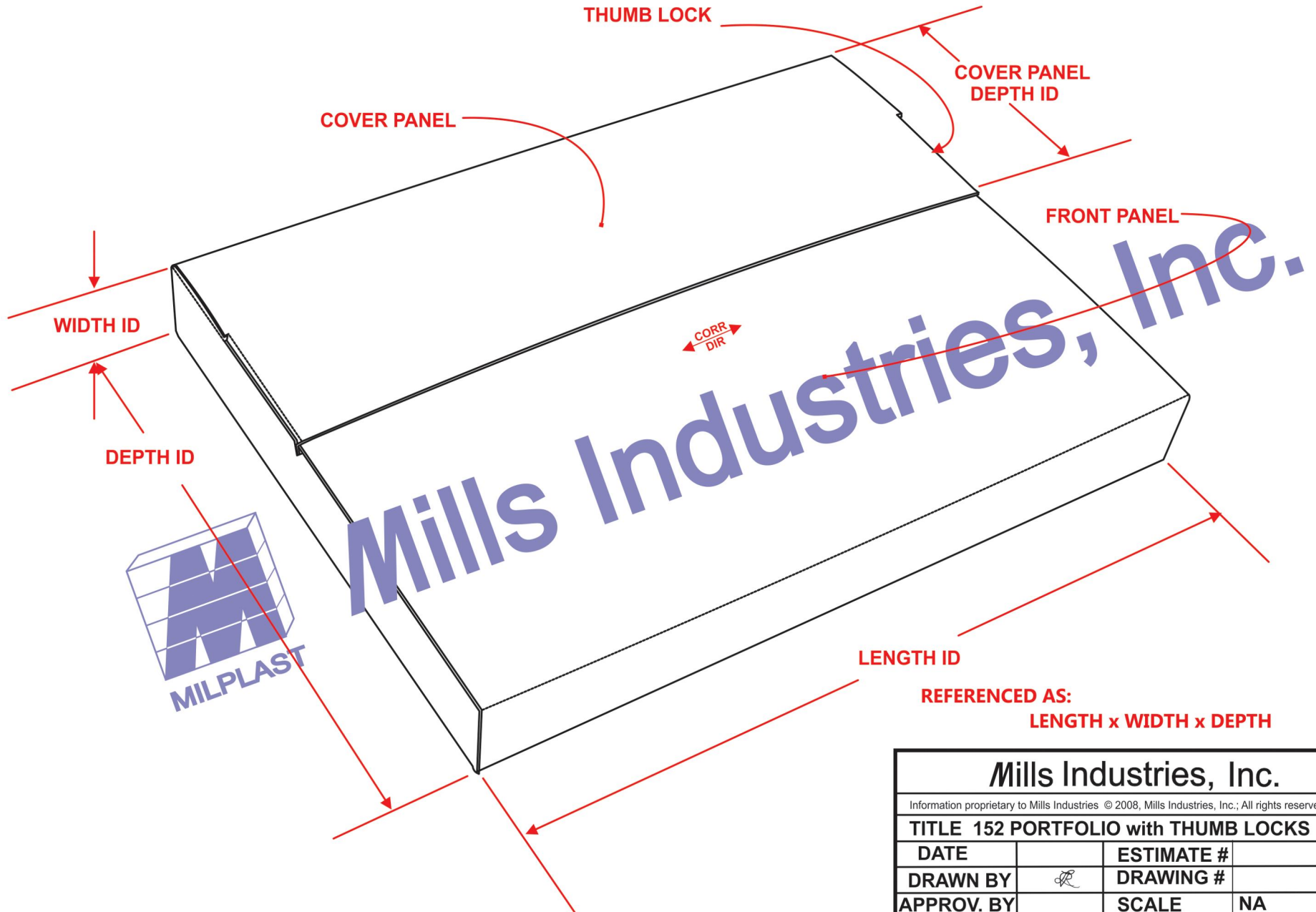


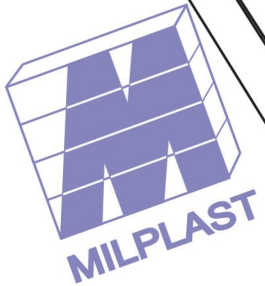
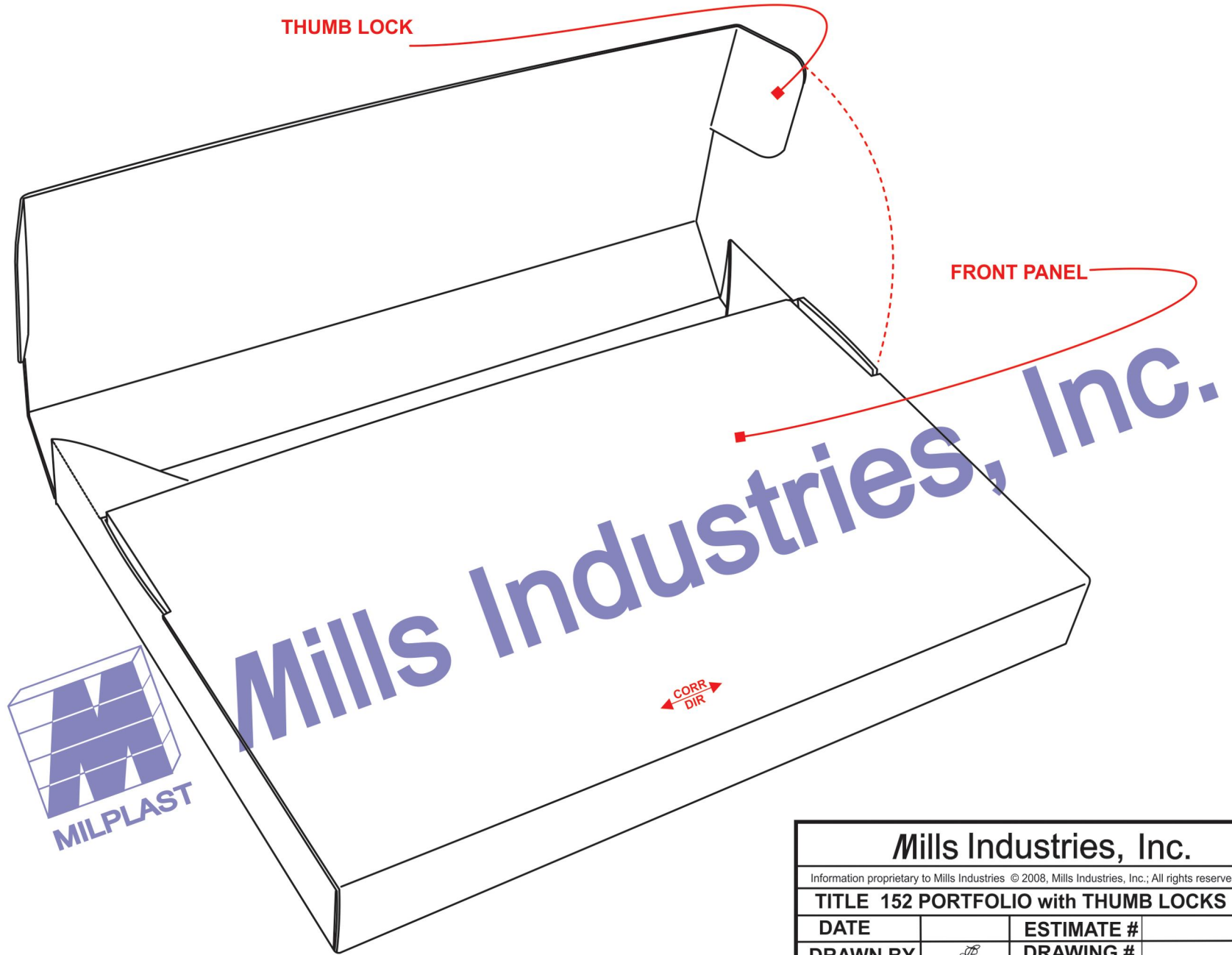
152 PORTFOLIO with THUMB LOCKS



REFERENCED AS:
LENGTH x WIDTH x DEPTH

Mills Industries, Inc.			
<small>Information proprietary to Mills Industries © 2008, Mills Industries, Inc.; All rights reserved</small>			
TITLE 152 PORTFOLIO with THUMB LOCKS			
DATE		ESTIMATE #	
DRAWN BY	<i>[Signature]</i>	DRAWING #	
APPROV. BY		SCALE	NA
<small>Mills Industries Proprietary. The information contained herein is confidential and proprietary to Mills Industries, Inc. and shall not be reproduced in whole or part or used for any design or manufacture except when such user possesses direct, written authorization from Mills Industries, Inc.</small>			

152 PORTFOLIO with THUMB LOCKS



Mills Industries, Inc.			
<small>Information proprietary to Mills Industries © 2008, Mills Industries, Inc.; All rights reserved</small>			
TITLE 152 PORTFOLIO with THUMB LOCKS			
DATE		ESTIMATE #	
DRAWN BY	<i>RL</i>	DRAWING #	
APPROV. BY		SCALE	NA
<small>Mills Industries Proprietary. The information contained herein is confidential and proprietary to Mills Industries, Inc. and shall not be reproduced in whole or part or used for any design or manufacture except when such user possesses direct, written authorization from Mills Industries, Inc.</small>			