
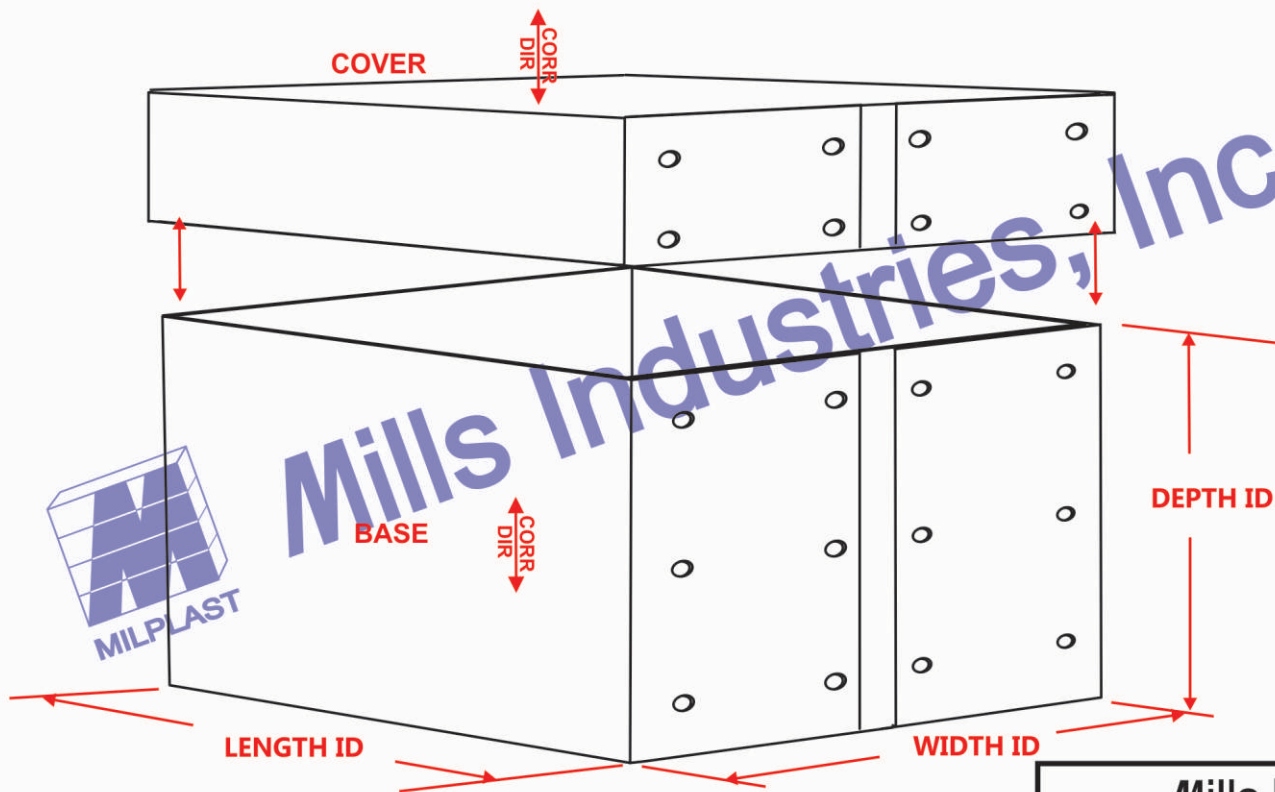


Mills Industries, Inc.


REFERENCED AS:  
 LENGTH x WIDTH x DEPTH

<b>Mills Industries, Inc.</b>		
<small>Information proprietary to Mills Industries © 2008, Mills Industries, Inc.; All rights reserved</small>		
<b>TITLE PARTIAL TELESCOPE</b>		
<b>DATE</b>		<b>ESTIMATE #</b>
<b>DRAWN BY</b>		<b>DRAWING #</b>
<b>APPROV. BY</b>		<b>SCALE NA</b>

Mills Industries Proprietary. The information contained herein is confidential and proprietary to Mills Industries, Inc. and shall not be reproduced in whole or part or used for any design or manufacture except when such user possesses direct, written authorization from Mills Industries, Inc.



REFERENCED AS:  
 LENGTH x WIDTH x DEPTH

<b>Mills Industries, Inc.</b>		
<small>Information proprietary to Mills Industries © 2008, Mills Industries, Inc.; All rights reserved</small>		
<b>TITLE PARTIAL TELESCOPE</b>		
<b>DATE</b>		<b>ESTIMATE #</b>
<b>DRAWN BY</b>		<b>DRAWING #</b>
<b>APPROV. BY</b>		<b>SCALE NA</b>

Mills Industries Proprietary. The information contained herein is confidential and proprietary to Mills Industries, Inc. and shall not be reproduced in whole or part or used for any design or manufacture except when such user possesses direct, written authorization from Mills Industries, Inc.